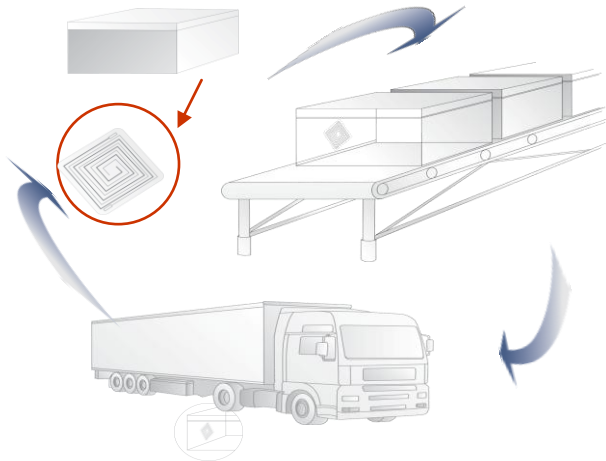


Global Visibility @ Your Touch



GFleet for Medical Waste Collection in Anshan, China

UE IEMvirotech Co., Ltd. (UEIEM) collects sealed containers full of used syringes and other forms of medical waste from various local hospitals in Anshan, China. UEIEM was, thus, looking for a fleet-based Medical Waste tracking system to **ensure that the bio-hazardous waste was closely tracked, accounted for and properly disposed off** at its incinerator facility.

UEIEM engaged GT&T Engineering to design, implement, deploy and maintain a fleet-based medical waste collection system to meet this particular need. The scope of the system covered:

- attaching RFID tags to thousands of plastic containers, which contain the sealed waste packages,
- installing RFID readers and GBox Automatic Vehicle Location trackers to the vans,
- installing RFID readers at the decontamination zone, where the plastic containers are chemically washed,
- integrating the RFID reader and weighing scale at the incinerator plant to the software backend.

The process starts with the drivers collecting and registering the plastic containers using RFID readers, upon collection at the hospitals before transporting these to the incinerator. The containers are read by the RFID reader at the incineration plant and then weighed, prior to incinerating the packaged waste inside the plastic container. The empty containers are then read by the RFID readers at the decontamination area.

The benefits were numerous. It ensured that the **fleet and drivers performed their tasks** and **maintained high service levels** for the hospitals. The plastic containers were always tracked using RFID and losses were minimized. Most importantly, it helped **track and account for the amount of waste disposed**, giving UEIEM **direct visibility into profitability and productivity**.



GT&T Engineering Pte Ltd,
2 Ang Mo Kio Street 64,
Econ Building, #04-3B,
Singapore 569084
Web: www.gtteng.com
Email: sales@gtteng.com
Tel: +65 6556-4112 / 6556-4254
Fax: +65 6556-4231